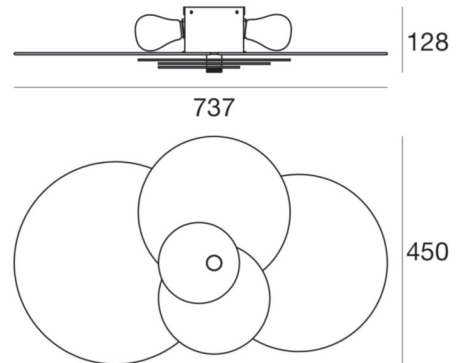


Hula Hoop_S



Ceiling Lights | 220-240 V | 2xE27
90212



Technical data	
Installation position	Ceiling
Installation environment	Indoor
Lamp cap	2 x E27 Max 57W
Frequency	50-60 Hz
Optics	General Lighting
Light emission direction	backward
Safety class	1
IP	IP20
Glow wire test	650°
Direct mounting on normally flammable surfaces	Yes
CE	Yes
ETL	No
Fire Rated (BS 476 PT21 compliant)	No
Induction	No
Emergency mode	No
Motion sensor	No
Directional	No
Tilting	No
Walk-over	No
Drive-over	No
Cable included	No
Resin potting	No
Type of light emission	Double emission
Net weight	3.300 Kg

Finishing casing	
Material	Iron
Colour	white
Processing	Coating

Finishing diffuser	
Material	Acrylic glass - Acrylic glass - Acrylic glass - Glass
Colour	blue - yellow - chrome - white
Processing	Sandblasting



Ceiling Lights | 220-240 V | 2xE27
90212

Double emission ceiling lights for indoor application. Compatibility: LED lamp, halogen 57 W, compact fluo 20 W; lamp cap 2xE27.

The device body is made of iron and features a white finish, processed by means of coating; the diffuser is made of glass with a sandblasting treatment; the diffuser is made of acrylic glass; the diffuser is made of acrylic glass; the diffuser is made of acrylic glass. The ingress protection degree is IP20; the total weight is of 3.300 kg.

The device features protection class I and can be ceiling-mounted.

Illuminotechnical Features	
Luminous flux (source)	1830 lm
Colour temperature	2800 K
Colour rendering index	100 Ra